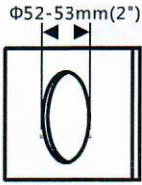


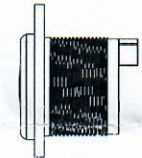
OWNER'S MANUAL

106-00187-01 ECH

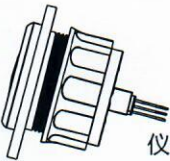


如A图,在准备安装仪表面板上开孔Φ52~53mm,并保证面板后面有至少70mm的空间。

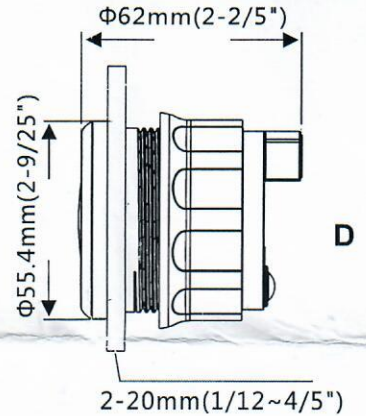
A Pic A : Before installation , firstly ,to open a hole (Dia:52~53mm) of the panel, make sure there is a space with (70mm backyard of panel) as well



如B图,拧开后盖,然后将仪表放入开好孔的仪表面板中
B PicB: Twist off the cover then put the gauge in hole



如C图,将仪表调整好位置后用仪表后盖将仪表锁紧在仪表面板上
C Pic C: Mount the gauge in hole, twist the back cover on after adjustment.



如D图,关于外形尺寸的标注说明
D Pic D: Size and annotations

仪表功能说明:

- 1、按轻按Mode按键(小于1秒)一次,改变背光颜色:背光顺序红色(默认)→绿→蓝→白→黄→黄绿→橙→紫→(自动)。自动:设置为自动背光时背光熄灭2秒再点亮,然后1分钟自动切换一次背光颜色。照上面顺序循环切换。
- 2、按住Mode按键≥3秒,进入设置模式,仪表指针停留在PORT位置,背光闪烁,请将舵角传感器停在PORT位置,短按MODE按键,记录PORT位置信号;然后将舵角传感器旋转到STBD位置,再短按按键,仪表记录STBD位置信号,数据自动保存并退出设置模式。
- 3、舵角表默认信号是PORT(190 ohm),STBD(0 ohm),如果传感器信号不在这个范围请参考第2点说明书设置参数。
- 4、如果传感器方向和仪表指针方向相反,请按住MODE按键10秒,指针会切换一次方向。

Operation:

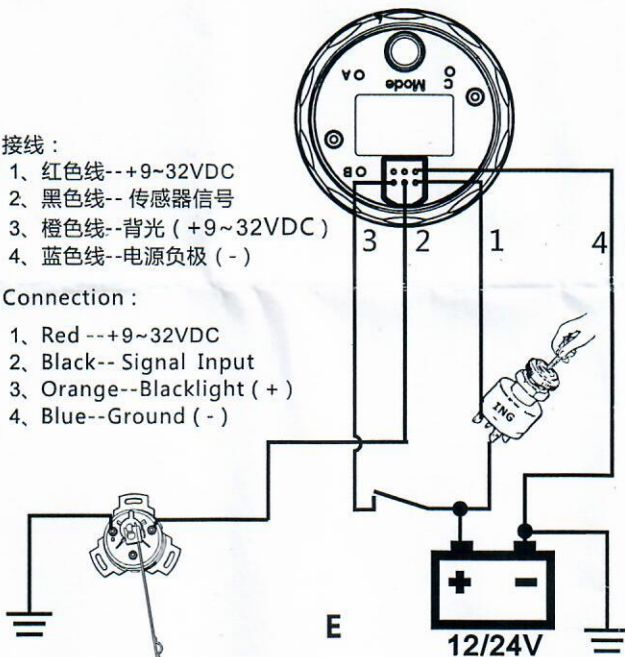
- 1) Press the Mode button (less than 1 second) to change the backlight color: Backlight changed in sequence: red (default) → green → blue → white → yellow → yellow green → orange → Purple → (automatic).
Automatic: As the gauges was set with the automatic, the backlight will be off for 2 seconds then lighten up, And will switch the backlight color as above sequentially.
- 2) Hold the MODE button three seconds at least, the gauge entry setting mode, the pointer stay at "PORT", backlight flickering then press the button to save data for PORT side. Short press "MODE" button, the pointer will point at "STBD", press the button to save "STBD" data. The rudder angle indicator will save the record and quit
- 3) DEFAULT: PORT(190ohm), STBD(0ohm): Users could set the data as their rudder angle sensor required
- 4) If the direction is different between the sender and the indicator, user could hold the MODE button for ten seconds to change

接线:

- 1、红色线-- +9~32VDC
- 2、黑色线-- 传感器信号
- 3、橙色线-- 背光 (+9~32VDC)
- 4、蓝色线-- 电源负极 (-)

Connection:

- 1、Red -- +9~32VDC
- 2、Black -- Signal Input
- 3、Orange -- Backlight (+)
- 4、Blue -- Ground (-)



参考E图连接电线
Pic E(Wires Connecting)

技术参数:

工作电压: 9~32VDC,
工作电流: ≤70mA(24V);
工作温度: -30~+75°C
存储温度: -40~+85°C。

Specification:

Operating Voltage: 9~32VDC,
Operating current: ≤70mA(24V);
Operating temperature: -30~+75°C
Storage temperature: -40~+85°C。